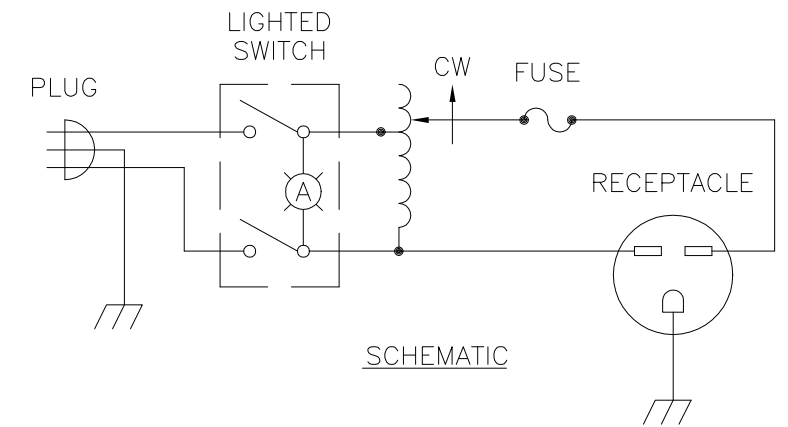
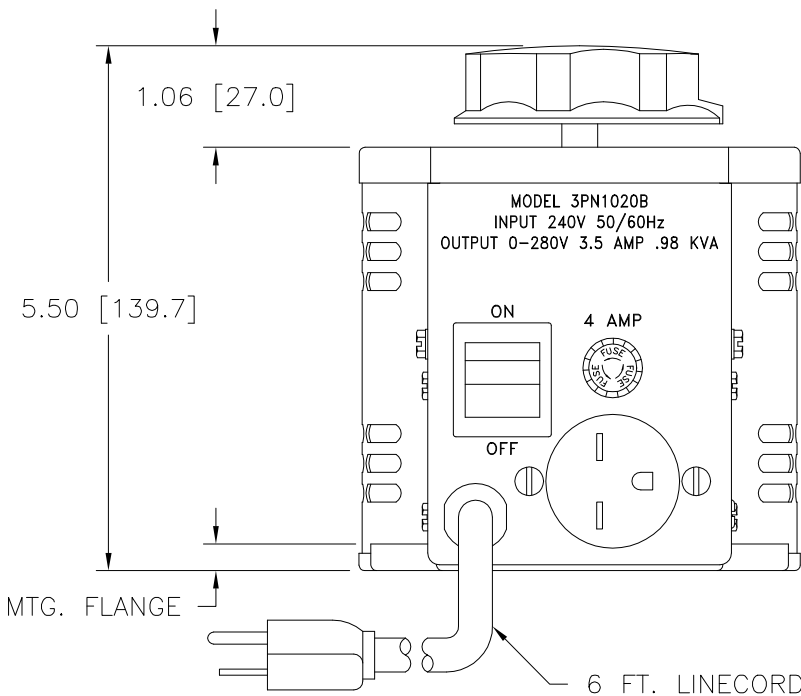
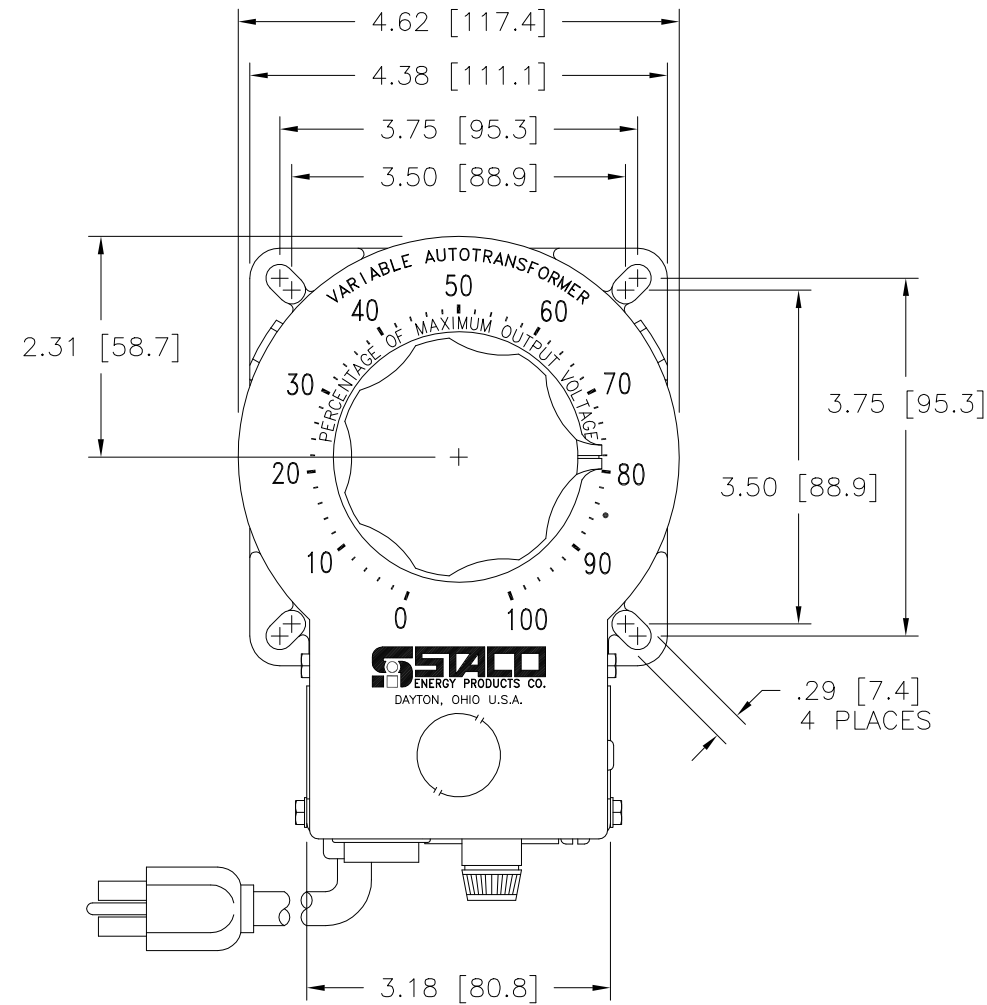
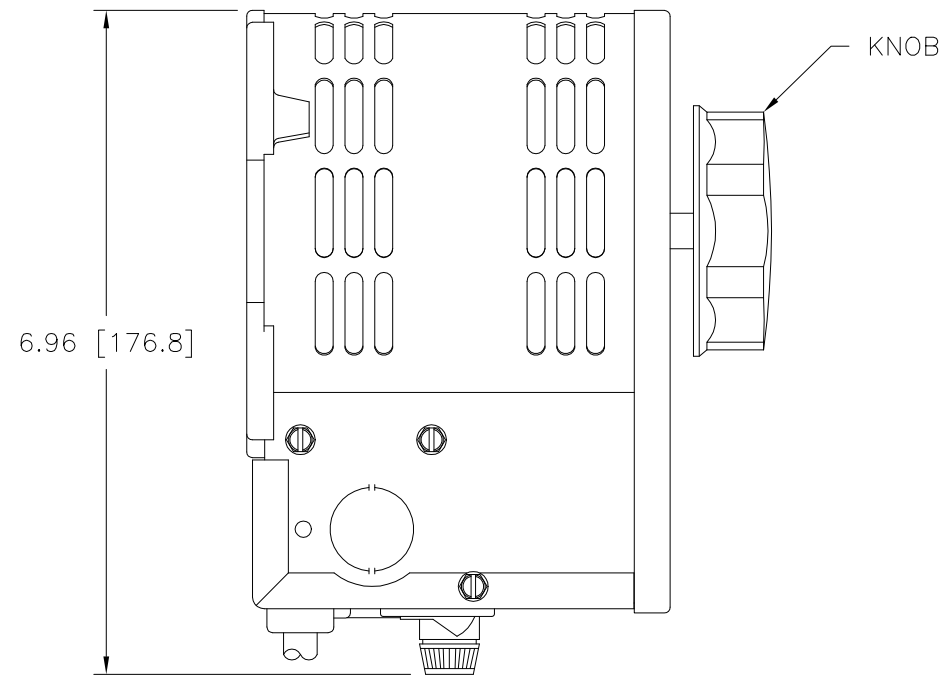


Go to [VARIAC.com](http://VARIAC.com)  
to purchase and for  
technical support.  
Made in the USA



SPECIFICATIONS					
WIRING	INPUT		OUTPUT		
	VOLTS	HERTZ	VOLTS	CONSTANT CURRENT LOAD	
SINGLE PHASE	240	50/60	0-280	MAX. AMPS	MAX. KVA
				3.5	.98

UNLESS OTHERWISE SPECIFIED, TOLERANCE IS #		UNITS		TITLE: SPEC. CONTROL DRAWING		DRAWN BY		DATE		FIRST USED ON		DO NOT SCALE DWG.		CUSTOMER APPROVAL	
DECIMALS	Holes	ANGLES	DRAFT	IN	MM	S.A. SMITH		10/11/96		3PN1020B					
.XX	.0000	.01	1°	1-1/2"		CHECKER				WEIGHT APPROX.		CODE IDENT. NO.		DWG. NO.	
.XXX	.005					ENGINEER				SCALE		SHEET 1 OF 1		D 031-2344	
<small>                 The information and design disclosed herein was originated by and is the property of STACO ENERGY PRODUCTS CO., which reserves all patent, proprietary, design, manufacturing, reproduction, use and sale rights thereto, and to any article disclosed therein except to the extent rights are expressly granted to others. The foregoing does not apply to vendor proprietary parts.             </small>															

