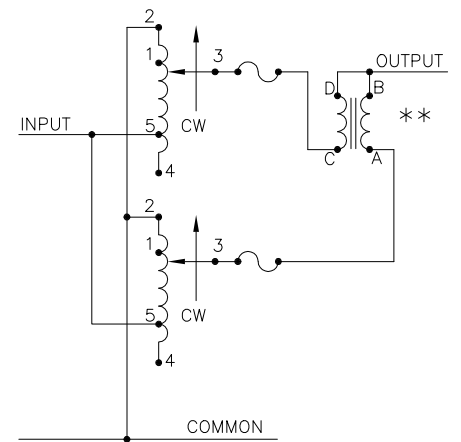
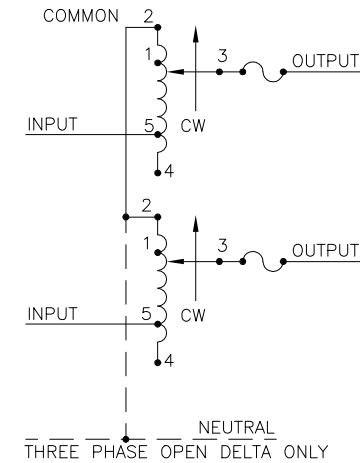
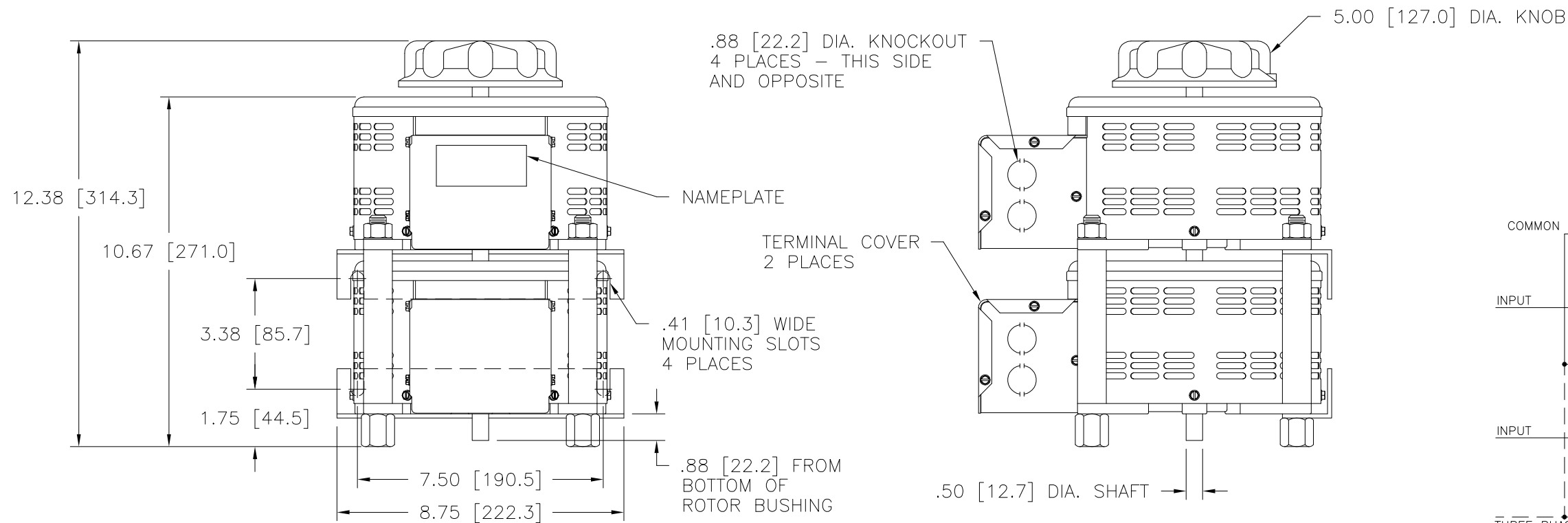
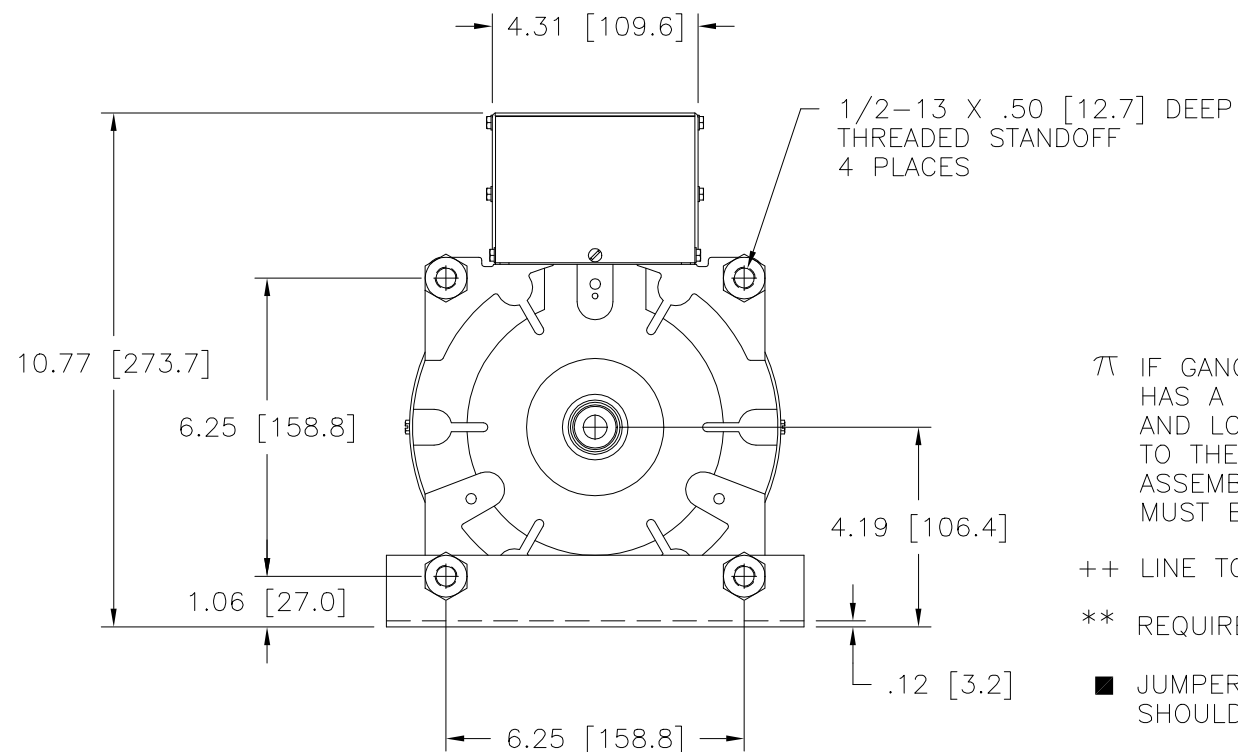


Go to VARIAC.com
 to purchase and for
 technical support.
 Made in the USA



SCHMATIC
 THREE PHASE OPEN DELTA AND SINGLE
 PHASE SERIES. FUSE RECOMMENDED BUT
 NOT SUPPLIED

SCHMATIC
 SINGLE PHASE PARALLEL
 FUSE RECOMMENDED BUT NOT SUPPLIED



π IF GANGED UNITS ARE USED IN A SYSTEM THAT ORDINARILY HAS A COMMON NEUTRAL OR GROUND BETWEEN SOURCE AND LOAD, THE NEUTRAL OR GROUND MUST BE CONNECTED TO THE COMMON TERMINALS OF THE VARIABLE TRANSFORMER ASSEMBLY. IF THE SYSTEM HAS NO NEUTRAL, THE LOAD MUST BE BALANCED OR THE TRANSFORMER WILL BE DAMAGED.

++ LINE TO LINE VOLTAGE.

** REQUIRES ONE 51LAC PARALLELING CHOKE (NOT SUPPLIED).

■ JUMPER PROVIDED IN STANDARD COMMON POSITION AND SHOULD BE MOVED OR REMOVED AS REQUIRED.

NOTE:
 UNIT IS SUPPLIED WITH A 7.00 [177.8] DIA.
 0-100 GRADUATED DIAL PLATE FOR PANEL MOUNTING.

SPECIFICATIONS											
WIRING	INPUT		OUTPUT				SHAFT ROTATION TO INCREASE VOLTAGE	TERMINAL CONNECTIONS			
	VOLTS	HERTZ	VOLTS	CONSTANT CURRENT LOAD		CONSTANT IMPEDANCE LOAD		FOR INCREASING VOLTAGE AS VIEWED FROM BASE END ■			
				MAX. AMPS	MAX. KVA	MAX. AMPS		MAX. KVA	INPUT	JUMPER	OUTPUT
SINGLE PHASE PARALLEL **	120	50/60	0-120	50	6.00	60	7.2	CW	2-2,4-4	---	4-B
			0-140	50	7.00	---	---	CCW	2-2,4-4	---	2-B
			0-120	50	6.00	30	7.2	CW	1-1,4-4	---	4-B
			0-140	50	7.00	---	---	CCW	5-5,2-2	---	2-B
SINGLE PHASE SERIES	240	50/60	0-240	25	6.00	30	7.2	CW	2-2	4-4	3-3
			0-280	25	7.00	---	---	CCW	4-4	2-2	3-3
			0-240	25	6.00	30	7.2	CW	1-1	4-4	3-3
			0-280	25	7.00	---	---	CCW	5-5	2-2	3-3
THREE PHASE OPEN DELTA π	120	50/60	0-120	25	5.20	30	6.2	CW	2-4-2	4-4	3-4-3
			0-140	25	6.06	---	---	CCW	4-2-4	2-2	3-2-3
			0-120	25	5.20	30	6.2	CW	1-4-1	4-4	3-4-3
			0-140	25	6.06	---	---	CCW	5-2-5	2-2	3-2-3

UNLESS OTHERWISE SPECIFIED, TOLERANCE IS # DECIMALS Holes ANGLES DRAFT UNITS IN [mm] XX .0005 .01 1° 1-1/2° ALL DIMENSIONS APPLY AFTER PLATING

TITLE: SPEC. CONTROL DRAWING VARIABLE TRANSFORMER MODEL: 2510CT-2



DRWN BY S.A. SMITH	DATE 6/19/97	FIRST USED ON	DO NOT SCALE DWG.	CUSTOMER APPROVAL	DATE
CHECKER	DATE	WEIGHT APPROX. 50 LBS	CODE IDENT. NO. 83008	DWG. NO. 031-5013	
ENGINEER	DATE	SCALE .50=1	SHEET 1 OF 1	DWG. SIZE D	