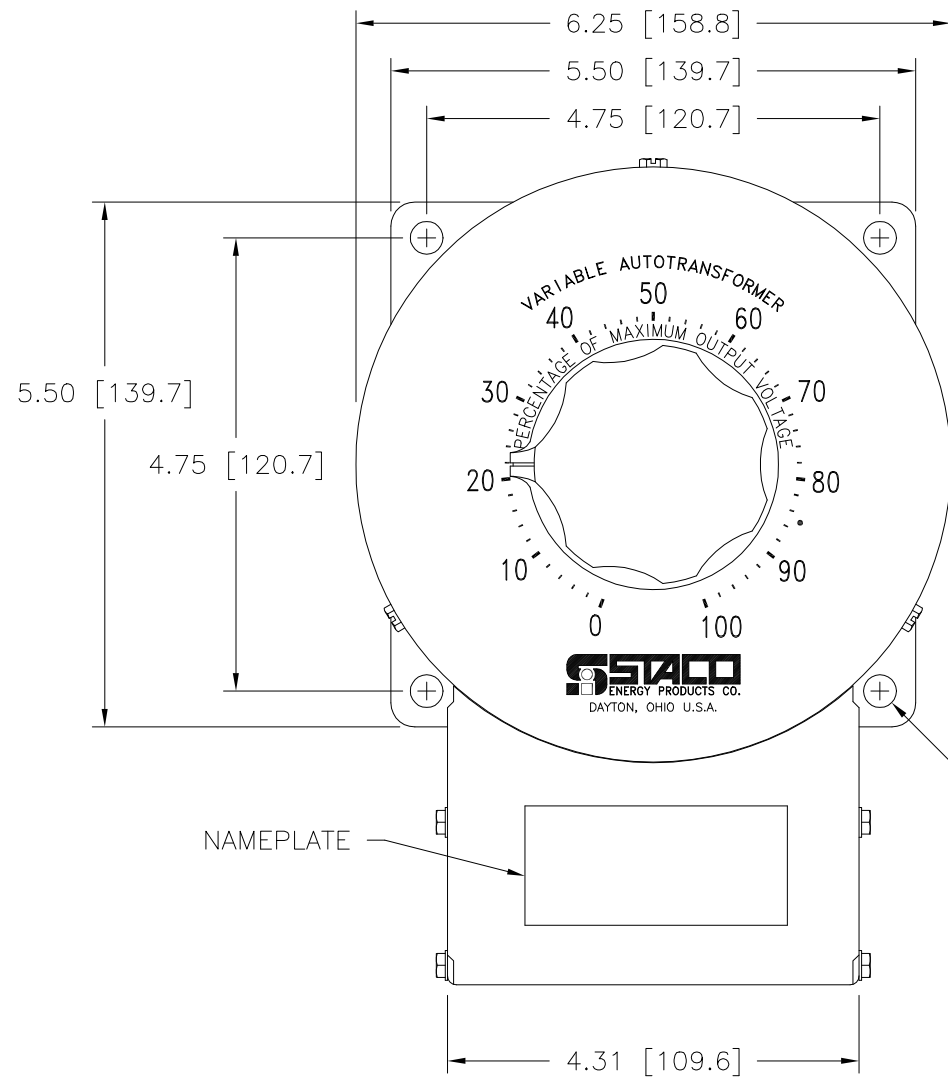
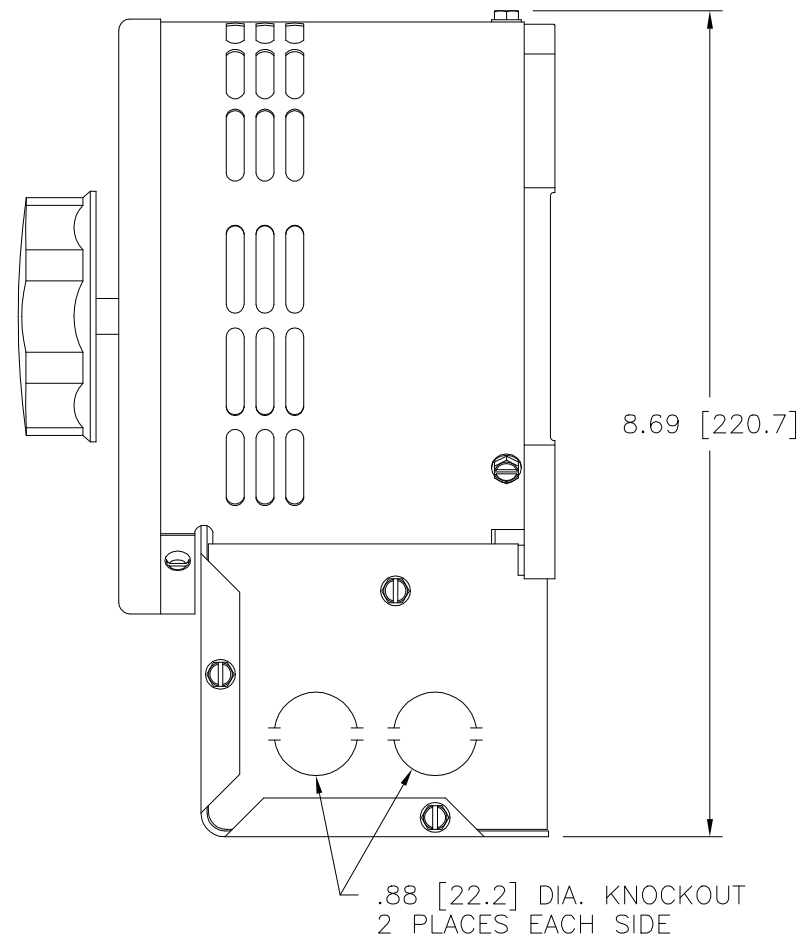


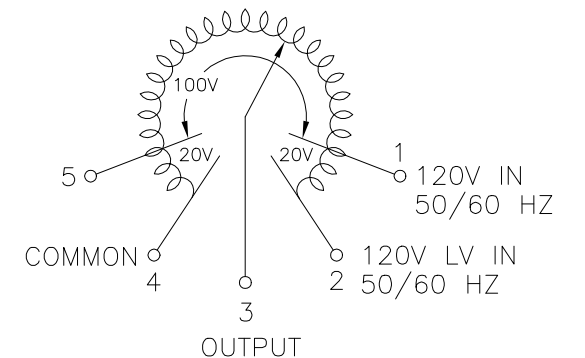
Go to VARIAC.com
to purchase and for
technical support.
Made in the USA



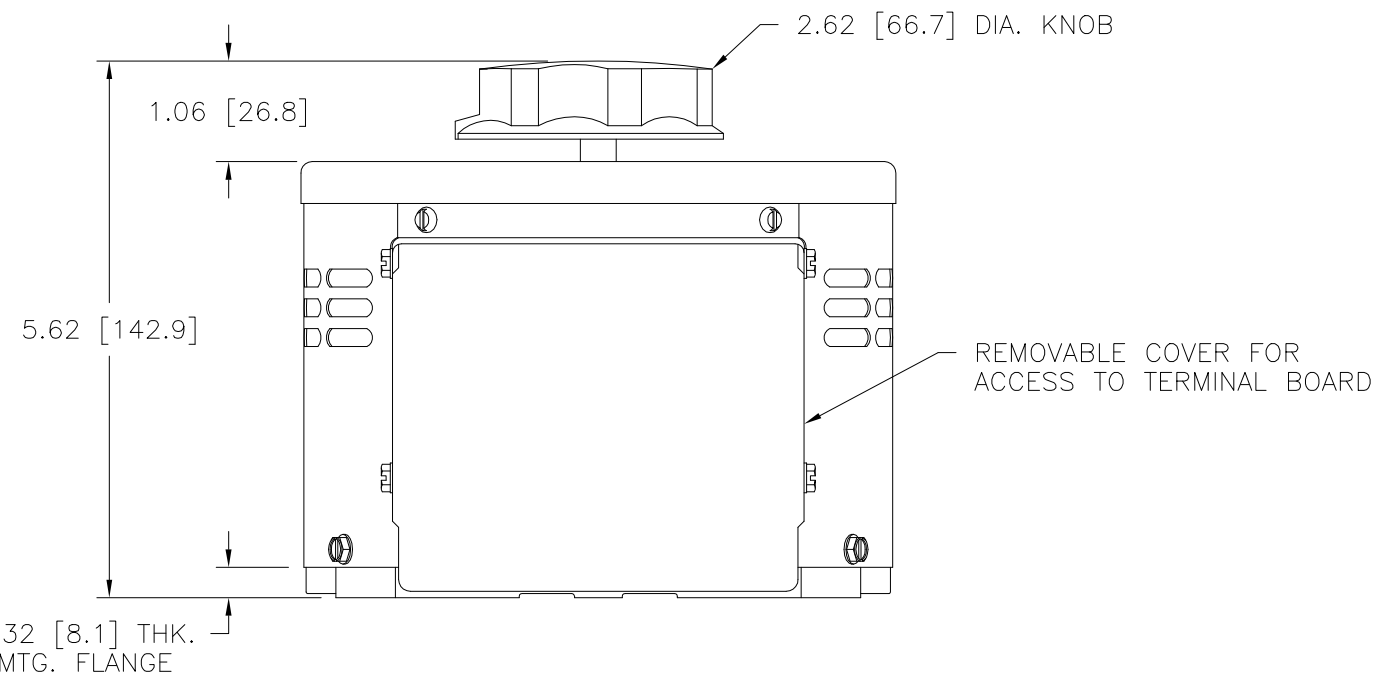
.34 [8.7] DIA. HOLE
4 PLACES FOR
CUSTOMER MOUNTING



NOTE:
UNIT IS SUPPLIED WITH A 3.75 [95.2] DIA.
0-100 GRADUATED DIAL PLATE FOR PANEL
MOUNTING.



COIL SCHEMATIC
AS VIEWED FROM BASE END
FUSE RECOMMENDED BUT
NOT SUPPLIED



SPECIFICATIONS											
WIRING	INPUT		OUTPUT				SHAFT ROTATION TO INCREASE VOLTAGE	TERMINAL CONNECTIONS			
	VOLTS	HERTZ	VOLTS	CONSTANT CURRENT LOAD		CONSTANT IMPEDANCE LOAD		FOR INCREASING VOLTAGE AS VIEWED FROM BASE END			
				MAX. AMPS	MAX. KVA	MAX. AMPS		MAX. KVA	INPUT	JUMPER	OUTPUT
SINGLE PHASE	120	50/60	0-120	15	1.80	20	2.40	CW	2-4	---	4-3
			0-140	15	2.10	---	---	CCW	2-4	---	2-3
								CW	1-4	---	4-3
								CCW	5-2	---	2-3

UNLESS OTHERWISE SPECIFIED, TOLERANCE IS # DECIMALS .XX .0005 .06 .0002 .01 .0002 .01 1° 1-1/2° UNITS IN [mm]

MATERIAL: ALL DIMENSIONS APPLY AFTER PLATING

TITLE: SPEC. CONTROL DRAWING VARIABLE TRANSFORMER MODEL: 1510CT

STACO ENERGY PRODUCTS CO. A COMPONENTS CORPORATION OF AMERICA COMPANY DAYTON, OHIO U.S.A.

DRAWN BY: S.A. SMITH DATE: 11/15/96 FIRST USED ON: 1510CT DO NOT SCALE DWG. CUSTOMER APPROVAL: DATE: _____

CHECKER: DATE: _____ WEIGHT APPROX.: 16 LBS CODE IDENT. NO.: 83008 DWG. NO.: 031-3651

ENGINEER: DATE: _____ SCALE: 1=1 SHEET 1 OF 1