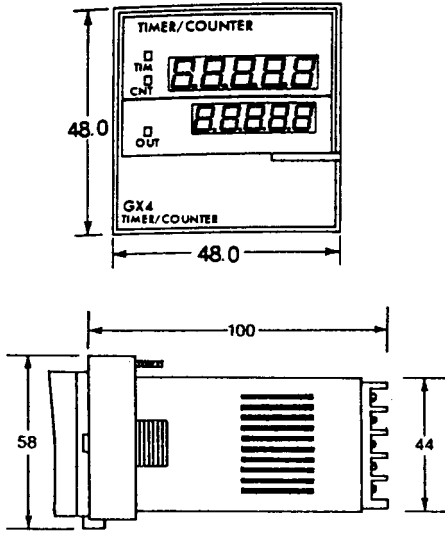


DIMENSIONS



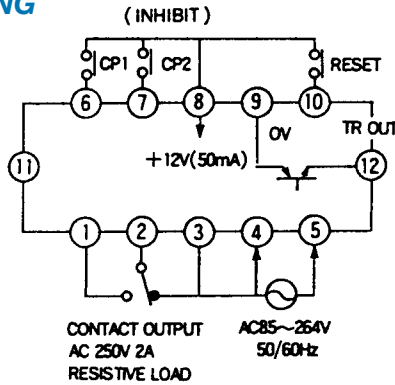
Series GX4-P

1/16 DIN Dual LED Display Single-Level Count/Control with Scaling



COUNTERS

WIRING



FEATURES

- Counter or Timer Operation
- Built-In 5-Digit Scaler
- Universal Input Power
- 5-Digit Count Display
- 5-Digit Preset Display
- 10-Count Input Modes
- 8-Count Output Modes
- 50mA Sensor Power Available
- 2 Amp Relay and Transistor Outputs
- 1/16 DIN Front Panel
- Front Panel Mode/Range Selections
- Economically Priced

OPERATION

The GX4-P count control is very versatile and full featured to allow solving most single level counter application problems. The dual 5 digit LED digital displays allow monitoring progress of the process while also showing the 5 digit setpoint. Separate LED lamps are on the front panel to show whether the unit is functioning as a Counter or Timer and to indicate the Output status. All functions and modes are programmable from the Front Panel Keys. Some of the more noteworthy features of the GX4 are built-in 5 digit scaling, relay and transistor outputs, 10 count modes, 8 output modes and universal input power of 85 to 264VAC. The popular 1/16 DIN housing, screw terminal wiring and low cost vs features ratio make the GX4 family very attractive for most applications.

SPECIFICATIONS

NUMBER OF DIGITS

Five

NUMBER OF CONTROL PRESETS

One

COUNT INPUT SCALING

0.0001 to 99999

COUNT SPEED

Programmable; 30cps, 1000cps,
2000cps or 5000cps

COUNT MODES

Count Up With Inhibit
Count Down With Inhibit
Quadrature Up/Down
Count With Direction
Separate Up/Down Inputs

COUNTER DECIMAL POINT

Any Position When Scaling

COUNT OUTPUT MODES

Latch Until Reset - Hold Count (N)
Latch Until Reset - Keep Counting (F)
Auto Recycle at Start of One Shot
Output (C)
Auto Recycle at End of One Shot Output -
Hold Count (R)
One Shot Output - Keep Counting Until
Reset (K)
Latch Until Next Count Input (P)
Auto Recycle at End of One Shot Output -
Keep Counting (Q)
One Shot Output-Hold Count Until Reset (A)

ONE SHOT COUNT OUTPUT TIMES

Programmable - 10ms, 50ms, 100ms,
200ms, 500ms, 1s, 2s, 5s

COUNT/RESET INPUTS

External Contact
PNP Sourcing Transistor

RESET OPTIONS

Front Panel Button
External contact

RESET TIME

0.02 Sec. Min.

POWER SUPPLY FOR SENSORS

12VDC, 50mA Max.

OUTPUTS-BOTH RELAY & TRANSISTOR SUPPLIED

Relay: SPDT, 2A @ 240VAC Resistive
Mechanical Life - 10 Million Min.
Electrical Life-100,000 Min. @ 2A/250VAC
Transistor: NPN 30VDC @ 100mA Max.

MEMORY

Lithium Battery

OPERATING POWER

85-264VAC, 50/60 Hz.

POWER CONSUMPTION

5VA

SETTING METHOD

Front Panel Keypad for All Functions

FRONT PANEL DISPLAYS/INDICATORS

Time/Count Value Display: 5 Digit
Green LED
Set Value: 5 Digit Red LED
Time or Count Mode: Red LEDs
Control Output: Red LED

MOUNTING

Front Panel (Mounting Clips Supplied)

TERMINATION

Built-In Screw Terminals

OPERATING TEMPERATURE

-10 to +55 Degrees C

HUMIDITY

35% to 85% RH

APPROVAL

UL, C-UL, File No. E171499,CE

ORDERING INFORMATION

The design versatility of the GX4-P provides control options (i.e. up or down count, count input speed, count input signal and reset type) that are user selectable. Therefore, only one model number is required. When ordering, simply indicate: Model Number: **GX4-P51E**